



DNH

HEAD OFFICE, NORWAY
DNH AS

Phone..... + 47 35 98 56 00
Fax..... + 47 35 98 56 10
E-mail..... dnh@dnh.no
Web-Site..... www.dnh.no

ENGLAND
DNH WW Ltd

Phone..... + 44 1908 275 000
Fax..... + 44 1908 275 100
E-mail..... dnh@dnh.co.uk

GERMANY
DNH GmbH

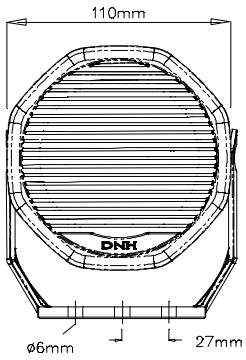
Phone... + 49 040 6569 30-0
Fax..... + 49 040 6569 30-30
E-mail..... dnh@dnh.de

VEP-6(T)

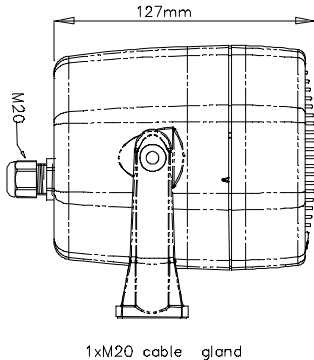
USA
DNH Speakers Inc

Phone..... + 1 484 494 5790
Fax..... + 1 484 494 5793
E-mail..... dnh@dnhspeakers.com

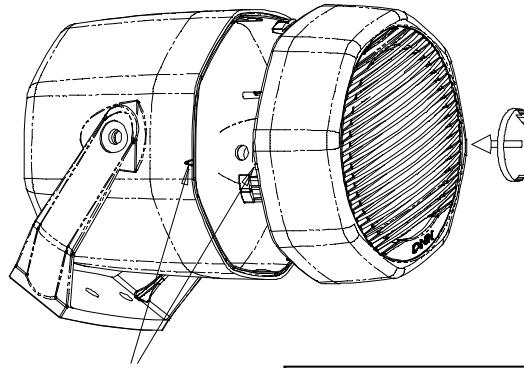
ISO 9001 CERTIFIED



All outside nuts and screws in stainless steel.

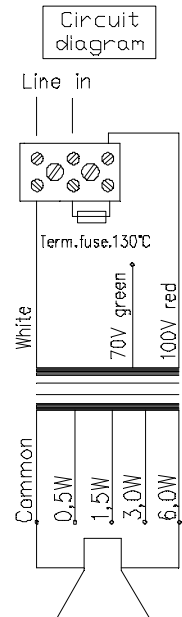


1xM20 cable gland



Alignment marks

Acc. British Standard 5839



Sound pressure levels at 1W/1m

SPL vs Freq



Specifications

Material / Color	ABS / RAL 7035
Mounting	Polyamide Bracket
Termination	Screw terminals
Weight	0,7 kg
IP-rating	44
Max. / min. amb. temp	90°C / -40°C
Standard version	70 V / 100 V transformer
Rated / max. power	6 W / 10 W
SPL 1W/1m	87 dB
SPL rated power	94 dB
Effective freq. range	150 – 20000 Hz
Dispersion (-6dB) 1kHz / 4kHz	210° / 60°
Directivity factor, Q 1kHz/4kHz	1,7 / 6,0
Options	Impedances, colors, labels

Installation, Operation and Maintenance Procedures

- Fasten bracket with minimum two screws.
- To open the loudspeaker, turn the front gently counter clockwise and pull.
- Lead cable through cable gland and connect to terminal.
- If 70V, replace red cable with the green cable in the terminal.
- To close the loudspeaker, align the two marks on the front and rear parts and turn the front gently clockwise.
- For optimum performance, always use the correct voltage / power and operate within the frequency limits as stated.
- Do not open loudspeaker when energized.
- This loudspeaker is supplied with a two years warranty against defective workmanship.

DNH reserves the right to alter specifications without notice

